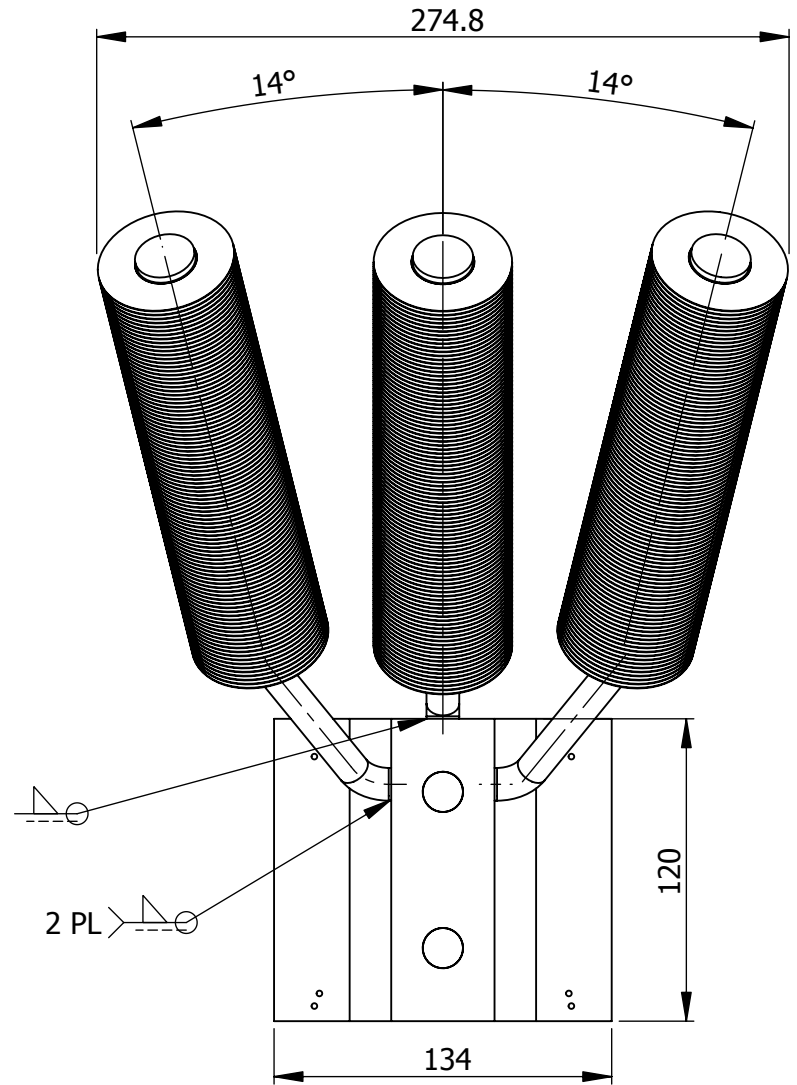
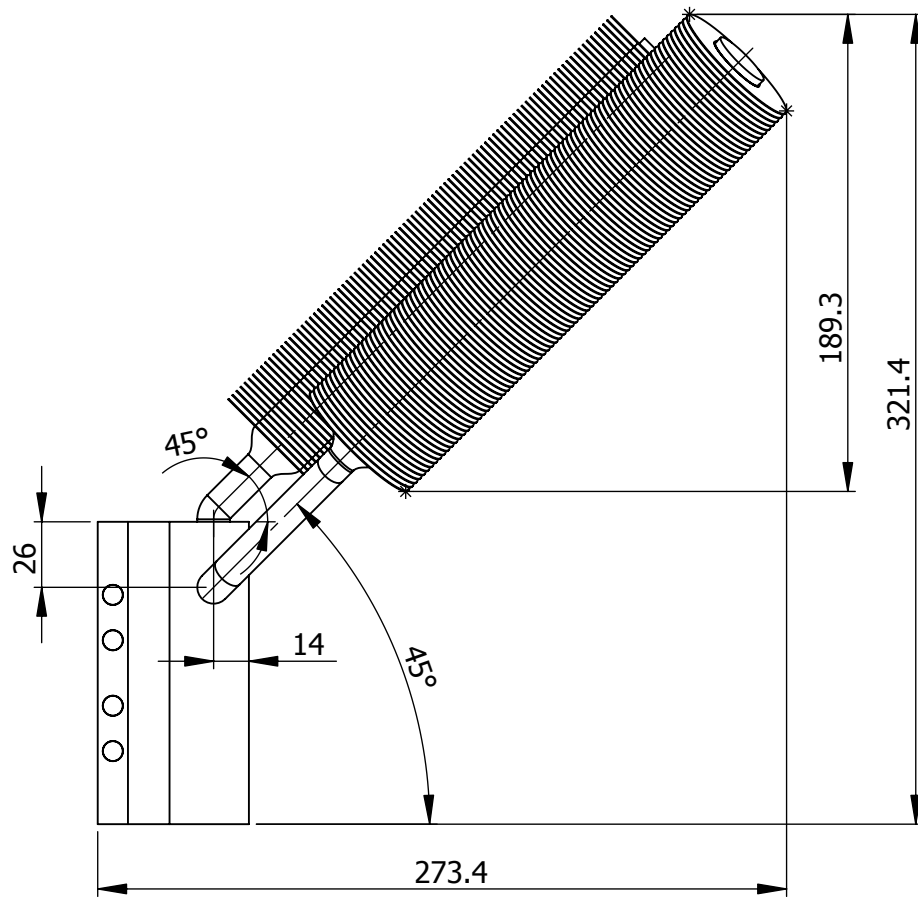



REV	ECO	ZONE	DESCRIPTION	DATE	BY
-	-	-	FIRST RELEASE	2010 APR 19	APP'D



This drawing is CONFIDENTIAL PROPERTY OF HORUS TECHNOLOGIES INC. and may not be used, reproduced, published or disclosed to others without authorization of HORUS TECHNOLOGIES INC. If loaned, this drawing is subject to return upon demand, and with the understanding that it is not to be used in any way detrimental to HORUS TECHNOLOGIES INC.

CLIENT	NASCAR			 HORUS TECHNOLOGIES INC. 17075 LESLIE ST., UNIT #11, NEWMARKET, ONTARIO. L3Y 8E1			
PROJECT	1117						
SCALE	1:3	DO NOT SCALE DRAWING					
TOLERANCE	UNLESS OTHERWISE SPECIFIED	DESIGNED	B.W	2010 APR 19	TITLE	DETAIL	
X	±	DRAWN	R.Z	2010 APR 19	HEAT PIPE ASSY		
.XX	±	CHECKED			DWG No.	1117-M300	REV
.XXX	±	APP'D					-
FRACTIONS	±						
ANGLES	±						

MATERIAL	-
FINISH	-