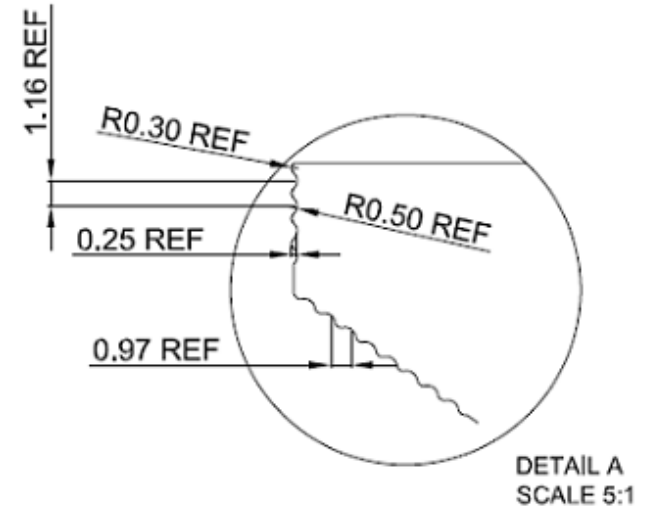
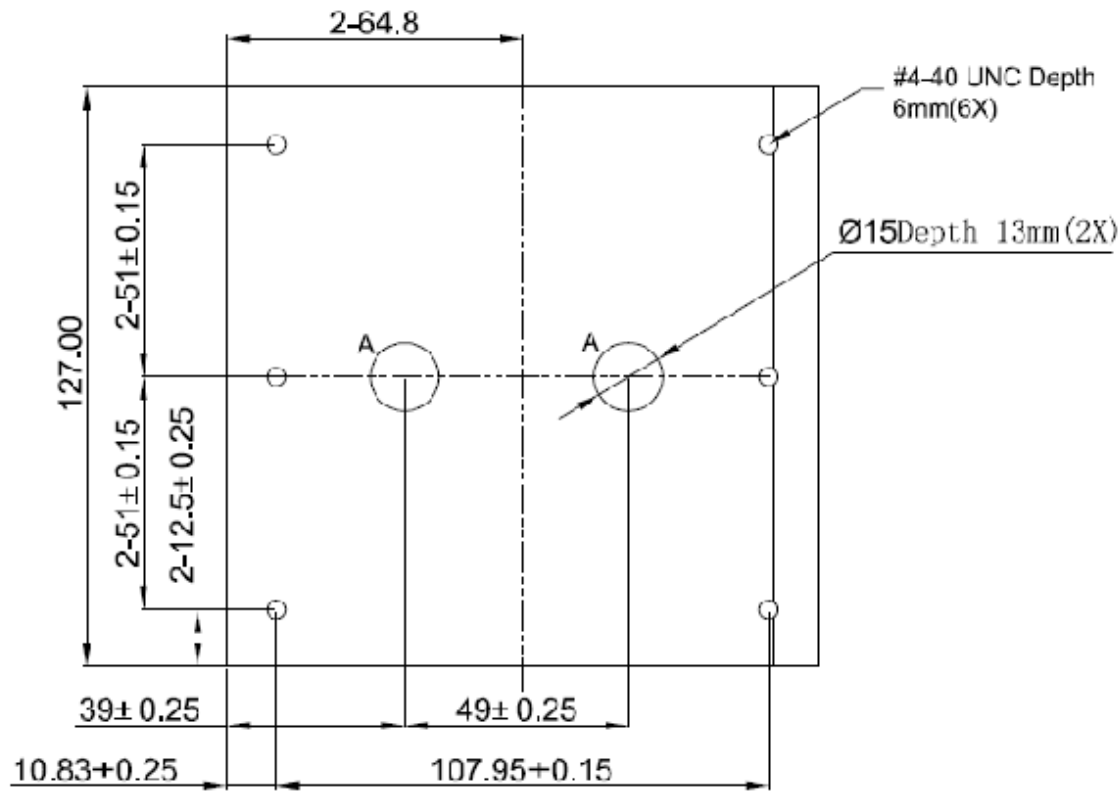


DETAIL FIN
SCALE 3:1



NOTES:



FINISH		WASH				Canadian Extruder Corp.		
MATERIAL	ALSOSS-T5	WEIGHT	g		DRAWING NAME			
REV.	A	SCALE	1:1	UNIT	mm	PART NO.		
TOLERANCES UNLESS NOTED						HS-32FIN-127mm.TEG		
0.5*6	6*30	30*120	120*400	400*1000	ANGLE	DATE		
±0.1	±0.2	±0.3	±0.5	±0.6	±0.5°	2013/03/05		
						APP.	DRAW.	